

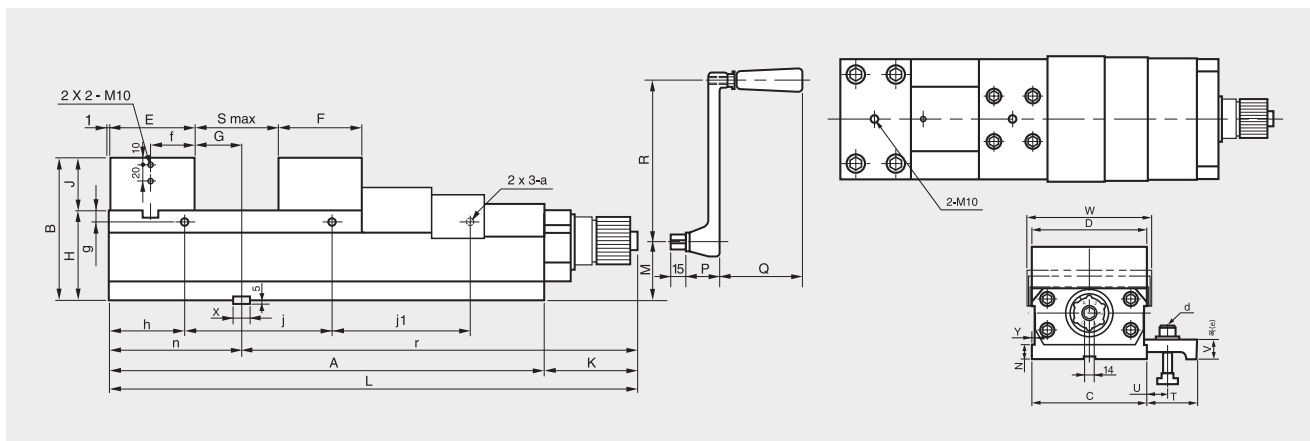
PCV

Standard Power Vise



■ Precision power vise with adjustable torque

POWER VISE



Dimensions

	A	B	C	D	E	F	G	H	J	K	L	M	N	P	Q	R	S
PCV-100(4")	295	115	101	100	73	64	38.5	75	40	105.5	400.5	43	15	37	95	180	150
PCV-125(5")	400	135	126	125	84	76	60	85	50	105.5	505.5	50	21	37	95	180	230
PCV-160(6")	490	160	161	160	94	86	50	100	60	105.5	595.5	65	21	37	95	180	300
PCV-200(8")	533	180	202	200	102	98	74	110	70	105.5	638.5	75	21	37	95	180	320
PCV-250(10")	705	195	252	250	120	120	100	115	80	105.5	810.5	75	21	37	95	180	450

	T	U	V	W	X	Y	a	b	e	f	g	h	j	j1	j2	n	r
PCV-100(4")	60	14-26	22.5	107	14	6	M10	M12 X 45	35	36.5	12	95	105	-	-	112.5	288.0
PCV-125(5")	72	15-31	30	135	18	6	M10	M16 X 65	45	42	12	95	105	105	-	145	360.5
PCV-160(6")	72	15-31	30	170	18	7	M10	M16 X 65	45	47	12	105	140	140	-	145	450.5
PCV-200(8")	72	15-31	30	214	18	7	M10	M16 X 65	45	51	12	126	141	141	-	177	461.5
PCV-250(10")	72	15-31	30	267	22	7	M10	M20 X 65	45	60	12	140	140	140	140	221	589.5

Specifications

	Jaw Width	Jaw Height	Max. Opening	Total Height	Slider Height	Total Width	Total Length	Max. Gripping Force KN (kgf)	weight kgf
PCV-100(4")	100	40	150	115	75	107	400	25(2551)	25
PCV-125(5")	125	50	230	135	85	135	505	35(3571)	43
PCV-160(6")	160	60	300	160	100	170	595	60(6122)	65
PCV-200(8")	200	70	320	180	110	214	638	60(6122)	100
PCV-250(10")	250	80	450	195	115	267	810	80(8163)	150

※ Specifications are subject to change without notification.